

SensRF[®]-101

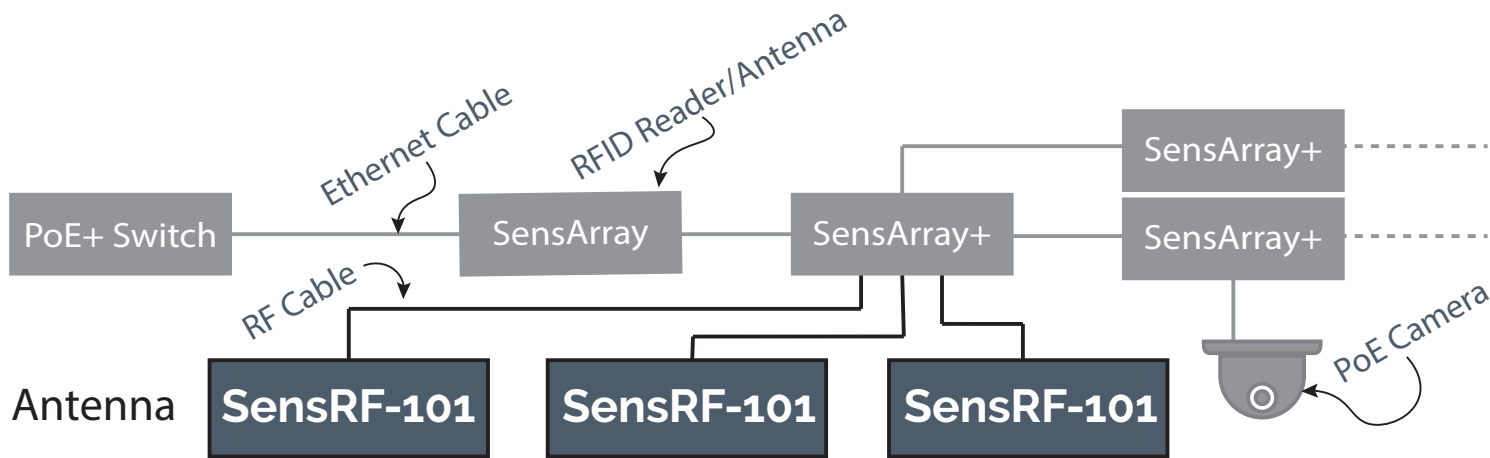
DRAFT - Details subject to change



The SensRF[®]-101 is a next generation, gdBic antenna designed for **simplicity** of use in **mass volume installations that doesn't compromise on performance or quality**. *The design of this antenna enables industry leading pricing but without sacrificing the stringent product needs imposed by Fortune 500 company usage.* This 10" x 10" form-factor antenna is approximately 0.8" thin and includes a robust SMA connector. Despite its aggressive form-factor and price positioning, SensRF-101 provides excellent RF characteristics equivalent to the leading antennas on the market (see overleaf specs).

The SensRF-101 is low-profile and aesthetically pleasing to blend into offices or commercial environments, yet tough enough to be used in warehouses and production lines (IP68). It can be provided with custom logos or graphics to suite the installation environment. Finally, the SensRF-101 can be used with any RFID reader and can be supplied either with a through-hole flush mount or a VESA 100mm stud mount.

EXAMPLE USE OF SENS RF-101 ANTENNA IN A SENSARRAY READER NETWORK



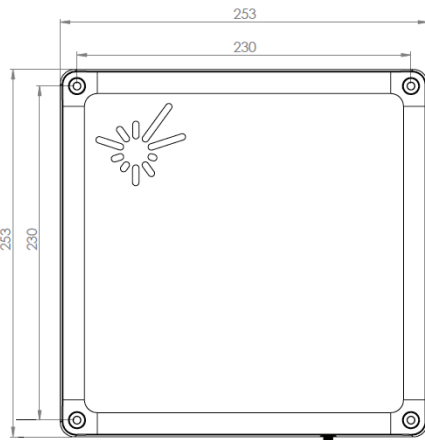
| What Does This Do For Me | How? |
|---|--|
| Minimizes Infrastructure Cost | Industry leading price positioning |
| | Pairs easily to SensArray low cost reader/antenna combo |
| | Low cost installation with mounting options |
| Aesthetically Acceptable in Professional Working Environments | Low profile (22mm/0.8") antenna |
| | Supports thin SMA type RF cable (we can provide white cables) |
| | Comes standard without logo's |
| | Optional silk screening or custom covers with volume commitments |
| Provides Excellent RF Performance for my Reader | gdBic gain |
| | 13:1 maximum VSWR |
| | 20dB front to back ratio |
| Tough and Robust | DC grounded (lightning protection) |
| | IP68 |



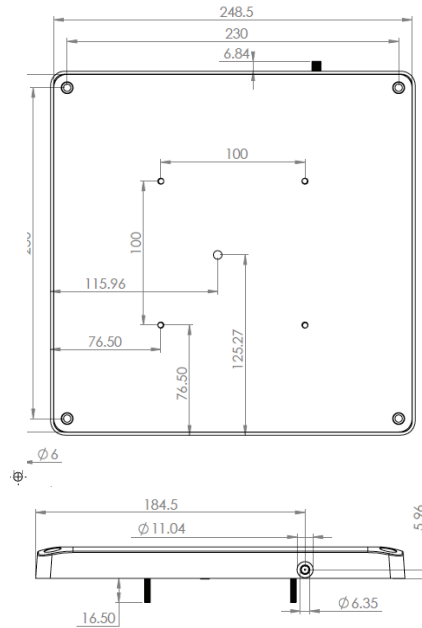
PHYSICAL and ENVIRONMENTAL

| Feature | Specification |
|-----------------------|--|
| Dimensions | (cm) 25.4 x 25.4 x 2.1 • (in) 10 x 10 x 0.83 |
| Weight | Approximately TBD kg (TBD lbs) <i>[Expect less than 1kg/2lbs]</i> |
| Connector | SMA connector |
| Operating Temperature | -25C to +70C |
| Lightning Protection | DC Grounded |
| Environmental Rating | IP 68 |
| Radome | UV-Resistant ABS |
| Mounting | Through hole flush mount option or 100mm studded VESA mount option |

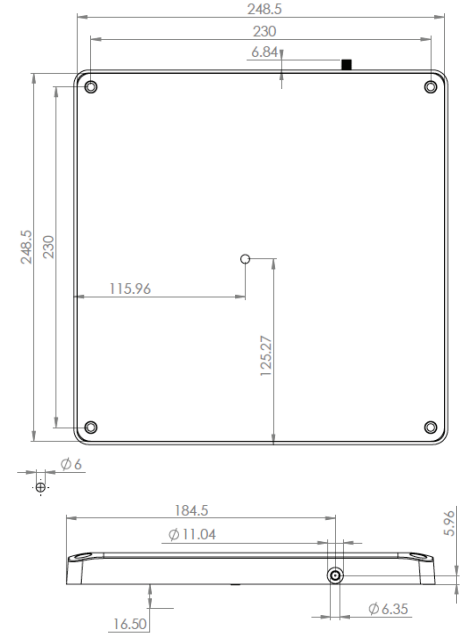
Top



VESA 100mm Studded Mount



Through-hole Flush Mount



RF

| Feature | Specification |
|-------------------------|--|
| Operating Frequency | ETSI:865-868 MHz; FCC:902-928 MHz (different models) |
| Internal Antenna | 9 dBic, right-hand circular |
| Maximum VSWR | 13:1 |
| 3dB Beamwidth - Azimuth | 70° |
| Front to Back Ratio | 20dB |
| Maximum Input Power | 10W |
| Input Impedance | 50 Ohms |
| Axial Ratio | FCC 1dB typical (ETSI TBD) |

ORDERING INFORMATION - Order at <https://www.senssthy.com/shop/>

| Model | Region | Mounting Option | Part Number |
|-------------------------------|------------------|--------------------|-------------|
| SensRF-101 Flush Mount / FCC | FCC 902-928 MHz | Flush/Flat | A1001FF |
| SensRF-101 VESA Mount / FCC | FCC 902-928 MHz | Studded 100mm VESA | A1001FV |
| SensRF-101 Flush Mount / ETSI | ETSI 865-868 MHz | Flush/Flat | A1001EF |
| SensRF-101 VESA Mount / ETSI | ETSI 865-868 MHz | Studded 100mm VESA | A1001EV |

SensThys, Inc · 21060 Homestead Road · Suite 226 · Cupertino · CA 95014 · www.senssthy.com